



INSPIRED
COMFORT

2019-2020
SERIES

Vol. 8

SPECIALIZED IN

CORPORATE

APPARELS



WE PRIDE OURSELVES

In being one of a few remaining uniform companies offering high-quality, custom made uniforms that meet your exact specification



A professional and prestigious uniform brand in Malaysia, **UZONE** has been the long-standing supplier of quality and impressive uniforms to local enterprises, winning a sterling reputation and establishing itself as the company of choice for national uniform designers.

An exclusive B2B brand by Hern Loong Perniagaan Sdn Bhd (63818-U), UZONE has won the prestigious Asia Pacific Top Excellence Brand Award. We are the top brand in uniform manufacturing and are proud to be the long-term supplier of quality uniforms to a substantial number of B2B and B2C enterprises in Malaysia.

Hern Loong has its own manufacturing plant. From cloth selection to production to packaging and delivery, we perfect the quality of our finished products all the way. Coupled with a high-end counter service and manufacturing spirit, we are able to ensure that every uniform UZONE manufactures meets the most demanding customer expectation!

FINED SOFT
DENIM SHIRT



PAGE 06

DENIM SHIRT



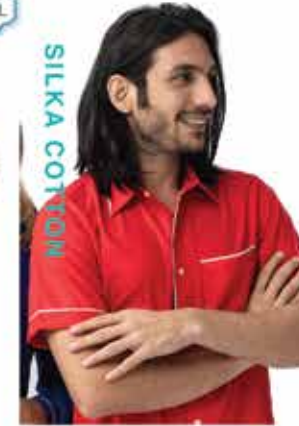
PAGE 10

FINED STITCHED
COTTON



PAGE 14

SILKA COTTON



PAGE 16

MICRO COTTON
RAYON



PAGE 18

BELLINI SOFT
OXFORD



PAGE 24

SUPERFINED SOFT
OXFORD



PAGE 30

POLYSOFT



PAGE 32

POLYSOFT
MUSLIMAH



PAGE 36

THAI TOMAM
COTTON



PAGE 40

THAI TOMAM
DOUBLE YARN VISCOSE



PAGE 62

TROUSER



PAGE 64

APRON



PAGE 66

INDUSTRIAL
JACKET



PAGE 70

CORPORATE UNIFORM
FINED SOFT DENIM SHIRT



+ MATERIAL
100% COTTON

**FINED SOFT DENIM
LONG SLEEVE**

MALE
Sizes: S - 3 XL



NAVY /
WHITE STRIPE
SJS 02

BACK
VIEW

MEN'S LONG SLEEVE	S	M	L	XL	2XL	3XL
Chest	40"	42"	44"	46"	48"	50"
Shoulder	17"	18"	19"	20"	21"	22"
Shirt Length	28"	29"	30"	30.5"	31"	31"
Long Sleeve Length	23"	23.5"	24"	24.5"	25"	25.5"



FEMALE
Sizes: S - 3 XL



NAVY /
WHITE STRIPE
SJS 03

BACK
VIEW

WOMEN'S LONG SLEEVE	S	M	L	XL	2XL	3XL
Chest	38"	40"	42"	44"	46"	48"
Shoulder	14.5"	15"	15.5"	16"	16.5"	17"
Shirt Length	28"	28.5"	29"	29.5"	30"	30.5"
Long Sleeve Length	22"	22.5"	22.5"	23"	23"	23.5"



+ MATERIAL
100% COTTON



**FINED SOFT DENIM
LONG SLEEVE**

MALE
Sizes: S - 3 XL



LIGHT BLUE /
NAVY
SJ 02



NAVY /
LIGHT BLUE
SJ 06



BACK
VIEW

MEN'S LONG SLEEVE	S	M	L	XL	2XL	3XL
Chest	40"	42"	44"	46"	48"	50"
Shoulder	17"	18"	19"	20"	21"	22"
Shirt Length	28"	29"	30"	30.5"	31"	31"
Long Sleeve Length	23"	23.5"	24"	24.5"	25"	25.5"



FEMALE
Sizes: S - 3 XL



LIGHT BLUE /
NAVY
SJ 03



NAVY /
LIGHT BLUE
SJ 07



BACK
VIEW

WOMEN'S LONG SLEEVE	S	M	L	XL	2XL	3XL
Chest	38"	40"	42"	44"	46"	48"
Shoulder	14.5"	15"	15.5"	16"	16.5"	17"
Shirt Length	28"	28.5"	29"	29.5"	30"	30.5"
Long Sleeve Length	22"	22.5"	22.5"	23"	23"	23.5"



CORPORATE UNIFORM
DENIM SHIRT

+ MATERIAL
100% COTTON

FEMALE
Sizes: S - 3 XL

NAVY / LIGHT BLUE
JL 08



BACK
VIEW



WOMEN'S LONG SLEEVE	S	M	L	XL	2XL	3XL
Chest	38"	40"	42"	44"	46"	48"
Shoulder	14.5"	15"	15.5"	16"	16.5"	17"
Shirt Length	28"	28.5"	29"	29.5"	30"	30.5"
Long Sleeve Length	22"	22.5"	22.5"	23"	23"	23.5"

MALE
Sizes: S - 3 XL

NAVY / LIGHT BLUE
JL 07



BACK
VIEW



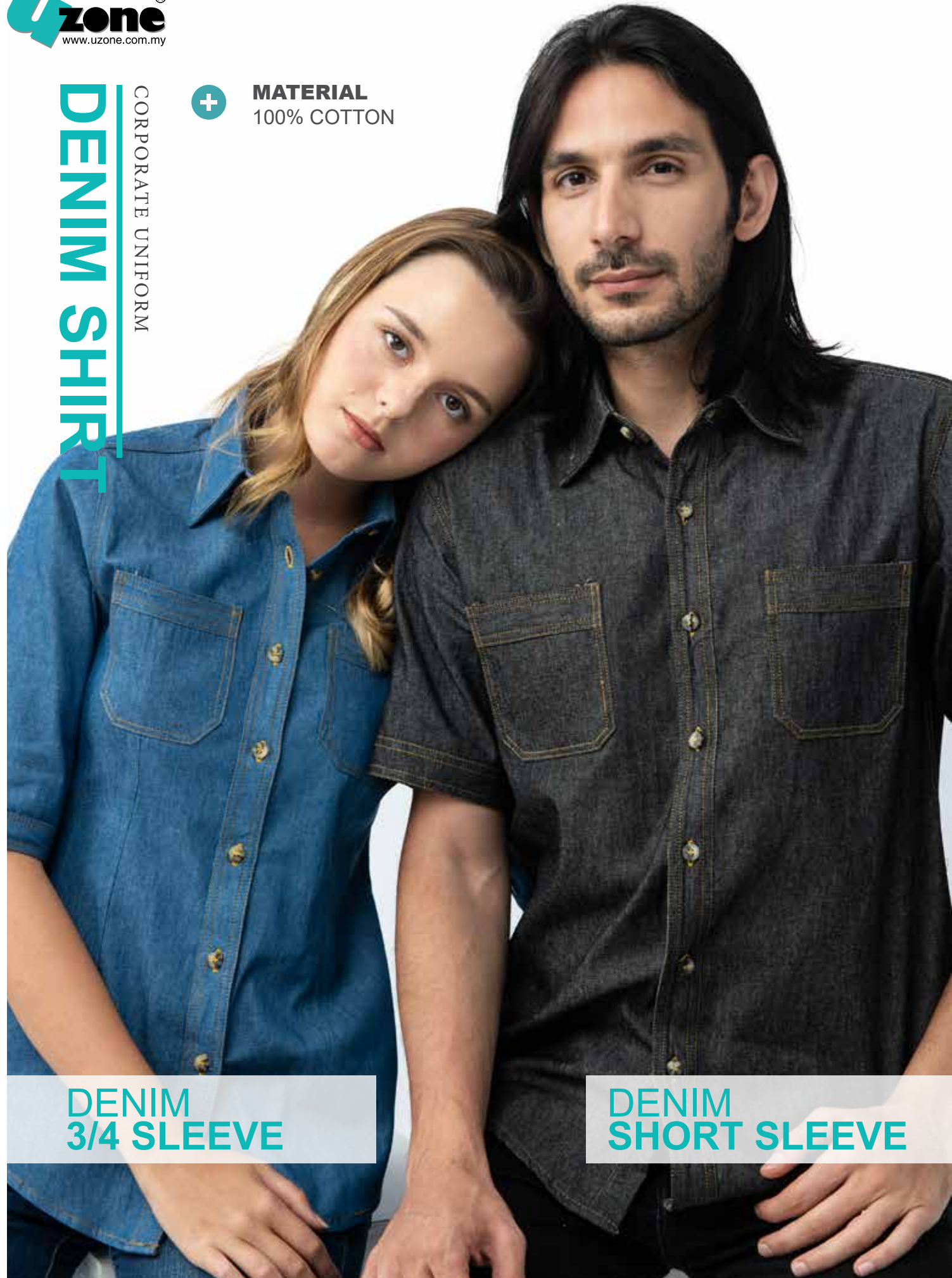
MEN'S LONG SLEEVE	S	M	L	XL	2XL	3XL
Chest	40"	42"	44"	46"	48"	50"
Shoulder	17"	18"	19"	20"	21"	22"
Shirt Length	28"	29"	30"	30.5"	31"	31"
Long Sleeve Length	23"	23.5"	24"	24.5"	25"	25.5"



**DENIM
LONG SLEEVE**

DENIM SHIRT
CORPORATE UNIFORM

+ MATERIAL
100% COTTON



**DENIM
3/4 SLEEVE**

**DENIM
SHORT SLEEVE**

MALE
Sizes: S - 3 XL



BLACK
J 08

BACK
VIEW



Button



NAVY
J 02

LIGHT BLUE
J 06

MEN'S SHORT SLEEVE	S	M	L	XL	2XL	3XL
Chest	40"	42"	44"	46"	48"	50"
Shoulder	17"	18"	19"	20"	21"	22"
Shirt Length	28"	29"	30"	30.5"	31"	31"
Short Sleeve Length	10"	10"	10.5"	11"	11.5"	12"

FEMALE
Sizes: S - 3 XL



Button



Sleeve



Bottom Split



NAVY
J 03

BACK
VIEW



LIGHT BLUE
J 05

BLACK
J 09

WOMEN'S 3/4 SLEEVE	S	M	L	XL	2XL	3XL
Chest	38"	40"	42"	44"	46"	48"
Shoulder	14.5"	15"	15.5"	16"	16.5"	17"
Shirt Length	28"	28.5"	29"	29.5"	30"	30.5"
3/4 Sleeve Length	13"	14"	14"	14.5"	15"	15"

NEW ARRIVAL

+ MATERIAL
70% COTTON
30% POLYESTER



**FS SERIES
LONG SLEEVE**

MALE
Sizes: S - 3 XL



MEN'S SHORT SLEEVE	S	M	L	XL	2XL	3XL
Chest	40"	42"	44"	46"	48"	50"
Shoulder	17"	18"	19"	20"	21"	22"
Shirt Length	28"	29"	30"	30.5"	31"	31"
Short Sleeve Length	10"	10"	10.5"	11"	11.5"	12"



FEMALE
Sizes: S - 3 XL



WOMEN'S LONG SLEEVE	S	M	L	XL	2XL	3XL
Chest	36"	40"	42"	44"	46"	48"
Shoulder	14.5"	15"	15.5"	16"	16.5"	17"
Shirt Length	28"	28.5"	29"	29.5"	30"	30.5"
Long Sleeve Length	22"	22.5"	22.5"	23"	23"	23.5"



SILKA COTTON
CORPORATE UNIFORM



+ MATERIAL
80% RAYON SILK
20% COTTON



**SILKA COTTON
MUSLIMAH
LONG SLEEVE**

**SILKA COTTON
SHORT SLEEVE**

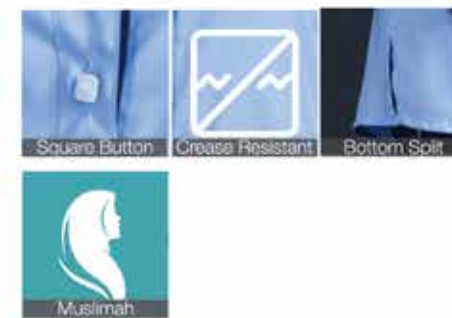
WOMEN'S MUSLIMAH	S	M	L	XL	2XL	3XL
Chest	38"	40"	42"	44"	46"	48"
Shoulder	14.5"	15"	15.5"	16"	16.5"	17"
Waist	33"	35"	37"	39"	41"	43"
Hip	40"	42"	44"	46"	48"	50"
Shirt Length	32"	33"	34"	35"	36"	36.5"
Long Sleeve Length	22"	22.5"	22.5"	23"	23"	23.5"

MEN'S SHORT SLEEVE	S	M	L	XL	2XL	3XL
Chest	40"	42"	44"	46"	48"	50"
Shoulder	17"	18"	19"	20"	21"	22"
Shirt Length	28"	29"	30"	30.5"	31"	31"
Short Sleeve Length	10"	10"	10.5"	11"	11.5"	12"

MALE
Sizes: S - 3 XL



FEMALE
Sizes: S - 3 XL





+ **MATERIAL**
70% MICRO FIBER
15% COTTON
15% RAYON

MY SHORT SLEEVE SERIES

MEN'S SHORT SLEEVE	S	M	L	XL	2XL	3XL
Chest	40"	42"	44"	46"	48"	50"
Shoulder	17"	18"	19"	20"	21"	22"
Shirt Length	28"	29"	30"	30.5"	31"	31"
Short Sleeve Length	10"	10"	10.5"	11"	11.5"	12"



+ **MATERIAL**
70% MICRO FIBER
15% COTTON
15% RAYON

MY 3/4 SLEEVE SERIES

WOMEN'S 3/4 SLEEVE	S	M	L	XL	2XL	3XL
Chest	38"	40"	42"	44"	46"	48"
Shoulder	14.5"	15"	15.5"	16"	16.5"	17"
Shirt Length	28"	28.5"	29"	29.5"	30"	30.5"
3/4 Sleeve Length	13"	14"	14"	14.5"	15"	15"

MALE
Sizes: S - 3 XL



IRIS PURPLE /
DARK PURPLE /
LIGHT PURPLE
MY 1017



BACK VIEW



RED / BLACK /
LIGHT GREY
MY 1011



DARK PURPLE /
MEDIUM BLUE /
WHITE
MY 1013



ROYAL BLUE /
SKY BLUE /
CREAM
MY 1015

FEMALE
Sizes: S - 3 XL



IRIS PURPLE /
DARK PURPLE /
LIGHT PURPLE
MY 1018



BACK VIEW



RED / BLACK /
LIGHT GREY
MY 1012



DARK PURPLE /
MEDIUM BLUE /
WHITE
MY 1014



ROYAL BLUE /
SKY BLUE /
CREAM
MY 1016



+ **MATERIAL**
70% MICRO FIBER
15% COTTON
15% RAYON

**MY LONG
SLEEVE SERIES**

MALE
Sizes: S - 3 XL



MEDIUM BLUE
MY 0011



BACK
VIEW



ROYAL BLUE
MY 0013



IRIS PURPLE
MY 0015



OLIVE GREEN
MY 0017



MEN'S LONG SLEEVE	S	M	L	XL	2XL	3XL
Chest	40"	42"	44"	46"	48"	50"
Shoulder	17"	18"	19"	20"	21"	22"
Shirt Length	28"	29"	30"	30.5"	31"	31"
Long Sleeve Length	23"	23.5"	24"	24.5"	25"	25.5"



+ **MATERIAL**
70% MICRO FIBER
15% COTTON
15% RAYON

FEMALE

Sizes: S - 3 XL



OLIVE GREEN
MY 0018



BACK
VIEW



MEDIUM BLUE
MY 0012



ROYAL BLUE
MY 0014



IRIS PURPLE
MY 0016



WOMEN'S LONG SLEEVE	S	M	L	XL	2XL	3XL
Chest	38"	40"	42"	44"	46"	48"
Shoulder	14.5"	15"	15.5"	16"	16.5"	17"
Shirt Length	28"	28.5"	29"	29.5"	30"	30.5"
Long Sleeve Length	22"	22.5"	22.5"	23"	23"	23.5"

**MY LONG SLEEVE
SERIES**



+ MATERIAL
60% POLYESTER
40% COTTON

BELLINI LONG SLEEVE

MALE

Sizes: S - 3 XL

MEN'S LONG SLEEVE	S	M	L	XL	2XL	3XL
Chest	40"	42"	44"	46"	48"	50"
Shoulder	17"	18"	19"	20"	21"	22"
Shirt Length	28"	29"	30"	30.5"	31"	31"
Long Sleeve Length	23"	23.5"	24"	24.5"	25"	25.5"



BLACK
OF 1215



BACK
VIEW



LIGHT
GREY
OF 1211



MEDIUM
NAVY
OF 1212



LIGHT
BLUE
OF 1213

FEMALE

Sizes: S - 3 XL

WOMEN'S LONG SLEEVE	S	M	L	XL	2XL	3XL
Chest	38"	40"	42"	44"	46"	48"
Shoulder	14.5"	15"	15.5"	16"	16.5"	17"
Shirt Length	28"	28.5"	29"	29.5"	30"	30.5"
Long Sleeve Length	22"	22.5"	22.5"	23"	23"	23.5"



MEDIUM
NAVY
OF 1312



BACK
VIEW



LIGHT
GREY
OF 1311



LIGHT
BLUE
OF 1313



BLACK
OF 1315

BELLINI SOFT OXFORD
CORPORATE UNIFORM



BELLINI SHORT SLEEVE



MATERIAL
60% POLYESTER
40% COTTON



MALE

Sizes: S - 3 XL

MEN'S SHORT SLEEVE	S	M	L	XL	2XL	3XL
Chest	40"	42"	44"	46"	48"	50"
Shoulder	17"	18"	19"	20"	21"	22"
Shirt Length	28"	29"	30"	30.5"	31"	31"
Short Sleeve Length	10"	10"	10.5"	11"	11.5"	12"





FEMALE
Sizes: S - 3 XL



ORANGE
OF 1307



BACK
VIEW



LIGHT GREY
OF 1301

MEDIUM NAVY
OF 1302

LIGHT BLUE
OF 1303

LIGHT YELLOW
OF 1305

LIGHT PURPLE
OF 1306

MAGENTA
OF 1308



RED
OF 1328



BACK
VIEW



NAVY
OF 1320

GREY BLUE
OF 1322

VIOLET
PURPLE
OF 1323

SAPPHIRE
GREEN
OF 1325

BLACK
OF 1326

OLIVE GREEN
OF 1327



BELLINI SOFT
OXFORD

CORPORATE UNIFORM



MATERIAL
60% POLYESTER
40% COTTON

BELLINI
3/4 SLEEVE

WOMEN'S 3/4 SLEEVE	S	M	L	XL	2XL	3XL
Chest	38"	40"	42"	44"	46"	48"
Shoulder	14.5"	15"	15.5"	16"	16.5"	17"
Shirt Length	28"	28.5"	29"	29.5"	30"	30.5"
3/4 Sleeve Length	13"	14"	14"	14.5"	15"	15"

NEW
ARRIVAL

MATERIAL
60% POLYESTER
40% COTTON



**SUPER FINED
SHORT SLEEVE**

**SUPER FINED
3/4 SLEEVE**

MALE

Sizes: S - 3 XL

MEN'S SHORT SLEEVE	S	M	L	XL	2XL	3XL
Chest	40"	42"	44"	46"	48"	50"
Shoulder	17"	18"	19"	20"	21"	22"
Shirt Length	28"	29"	30"	30.5"	31"	31"
Short Sleeve Length	10"	10"	10.5"	11"	11.5"	12"



WHITE /
APPLE GREEN
OF 1002

BACK
VIEW

NEW
ARRIVAL



WHITE /
ROYAL BLUE
OF 1000



WHITE /
RED
OF 1001



WHITE /
CYAN
OF 1003



WHITE /
BLACK
OF 1005



WHITE /
NAVY
OF 1006

FEMALE

Sizes: S - 3 XL

WOMEN'S 3/4 SLEEVE	S	M	L	XL	2XL	3XL
Chest	36"	40"	42"	44"	46"	48"
Shoulder	14.5"	15"	15.5"	16"	16.5"	17"
Shirt Length	28"	28.5"	29"	29.5"	30"	30.5"
3/4 Sleeve Length	13"	14"	14"	14.5"	15"	15"



WHITE /
BLACK
OF 1105



BACK
VIEW

NEW
ARRIVAL



WHITE /
ROYAL BLUE
OF 1100



WHITE /
RED
OF 1101



WHITE /
APPLE GREEN
OF 1102



WHITE /
CYAN
OF 1103



WHITE /
NAVY
OF 1106

POLYSOFT
CORPORATE UNIFORM



+ MATERIAL
100% POLYESTER

**POLYSOFT
SHORT SLEEVE**



+ MATERIAL
100% POLYESTER

**POLYSOFT
LONG SLEEVE**

MALE

Sizes: S - 3 XL



MEN'S SHORT SLEEVE	S	M	L	XL	2XL	3XL
Chest	40"	42"	44"	46"	48"	50"
Shoulder	17"	18"	19"	20"	21"	22"
Shirt Length	28"	29"	30"	30.5"	31"	31"
Short Sleeve Length	10"	10"	10.5"	11"	11.5"	12"



M GREEN /
WHITE
PS 3004

BACK
VIEW



SEA BLUE /
WHITE
PS 3001

RED /
WHITE
PS 3002

NAVY /
WHITE
PS 3003



FEMALE

Sizes: S - 3 XL



WOMEN'S LONG SLEEVE	S	M	L	XL	2XL	3XL
Chest	38"	40"	42"	44"	46"	48"
Shoulder	14.5"	15"	15.5"	16"	16.5"	17"
Shirt Length	28"	28.5"	29"	29.5"	30"	30.5"
Long Sleeve Length	22"	22.5"	22.5"	23"	23"	23.5"



NAVY /
WHITE
PS 4003

BACK
VIEW



SEA
BLUE /
WHITE
PS 4001

RED /
WHITE
PS 4002

M GREEN /
WHITE
PS 4004



CORPORATE UNIFORM
POLYSOFT



+ MATERIAL
100% POLYESTER



POLYSOFT
SHORT SLEEVE

MALE
Sizes: S - 3 XL



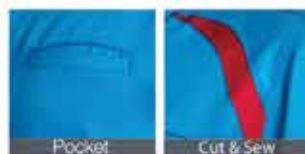
RED / WHITE
PS 1002



BACK VIEW



SILK BLUE / NAVY PS 1001 SEA BLUE / RED PS 1003 M GREEN / WHITE PS 1004



MEN'S SHORT SLEEVE	S	M	L	XL	2XL	3XL
Chest	40"	42"	44"	46"	48"	50"
Shoulder	17"	18"	19"	20"	21"	22"
Shirt Length	28"	29"	30"	30.5"	31"	31"
Short Sleeve Length	10"	10"	10.5"	11"	11.5"	12"

FEMALE
Sizes: S - 3 XL



M GREEN / WHITE
PS 2004



BACK VIEW



SILK BLUE / NAVY PS 2001 RED / WHITE PS 2002 SEA BLUE / RED PS 2003



WOMEN'S LONG SLEEVE	S	M	L	XL	2XL	3XL
Chest	38"	40"	42"	44"	46"	48"
Shoulder	14.5"	15"	15.5"	16"	16.5"	17"
Shirt Length	28"	28.5"	29"	29.5"	30"	30.5"
Long Sleeve Length	22"	22.5"	22.5"	23"	23"	23.5"



POLYSOFT
LONG SLEEVE

+ MATERIAL
100% POLYESTER



CORPORATE UNIFORM
**POLYSOFT
MUSLIMAH SERIES**



+ MATERIAL
100% POLYESTER



**MUSLIMAH
LONG SLEEVE**



FEMALE
Sizes: S - 3 XL



SEA BLUE /
WHITE / RED
PMU 01



BACK
VIEW



RED /
WHITE
PMU 02



BACK
VIEW



SILK BLUE /
NAVY
PMU 03



BACK
VIEW



Bottom Split



Muslimah

WOMEN'S MUSLIMAH	S	M	L	XL	2XL	3XL
Chest	38"	40"	42"	44"	46"	48"
Shoulder	14.5"	15"	15.5"	16"	16.5"	17"
Waist	33"	35"	37"	39"	41"	43"
Hip	40"	42"	44"	46"	48"	50"
Shirt Length	32"	33"	34"	35"	36"	36.5"
Long Sleeve Length	22"	22.5"	22.5"	23"	23"	23.5"

“Fashion is about dressing according to what's fashionable. Style is more about being yourself.”

Oscar de la Renta



CORPORATE UNIFORM
**THAI SOFT COMB COTTON
MUSLIMAH SERIES**



MATERIAL
65% POLYESTER
35% COTTON



FEMALE
Sizes: S - 3 XL



ROYAL BLUE /
BLACK / WHITE
MU 01



BACK
VIEW



RED /
BLACK
MU 02



BACK
VIEW



MEDIUM PURPLE /
DARK PURPLE
MU 03



BACK
VIEW



Bottom Split



WOMEN'S MUSLIMAH

	S	M	L	XL	2XL	3XL
Chest	38"	40"	42"	44"	46"	48"
Shoulder	14.5"	15"	15.5"	16"	16.5"	17"
Waist	33"	35"	37"	39"	41"	43"
Hip	40"	42"	44"	46"	48"	50"
Shirt Length	32"	33"	34"	35"	36"	36.5"
Long Sleeve Length	22"	22.5"	22.5"	23"	23"	23.5"

**MUSLIMAH
LONG SLEEVE**

MATERIAL
65% POLYESTER
35% COTTON

NEW
ARRIVAL



**FC SERIES
SHORT SLEEVE**

**FC SERIES
3/4 SLEEVE**

MALE

Sizes: S - 3 XL



MEN'S SHORT SLEEVE	S	M	L	XL	2XL	3XL
Chest	40"	42"	44"	46"	48"	50"
Shoulder	17"	18"	19"	20"	21"	22"
Shirt Length	28"	29"	30"	30.5"	31"	31"
Short Sleeve Length	10"	10"	10.5"	11"	11.5"	12"



FEMALE

Sizes: S - 3 XL



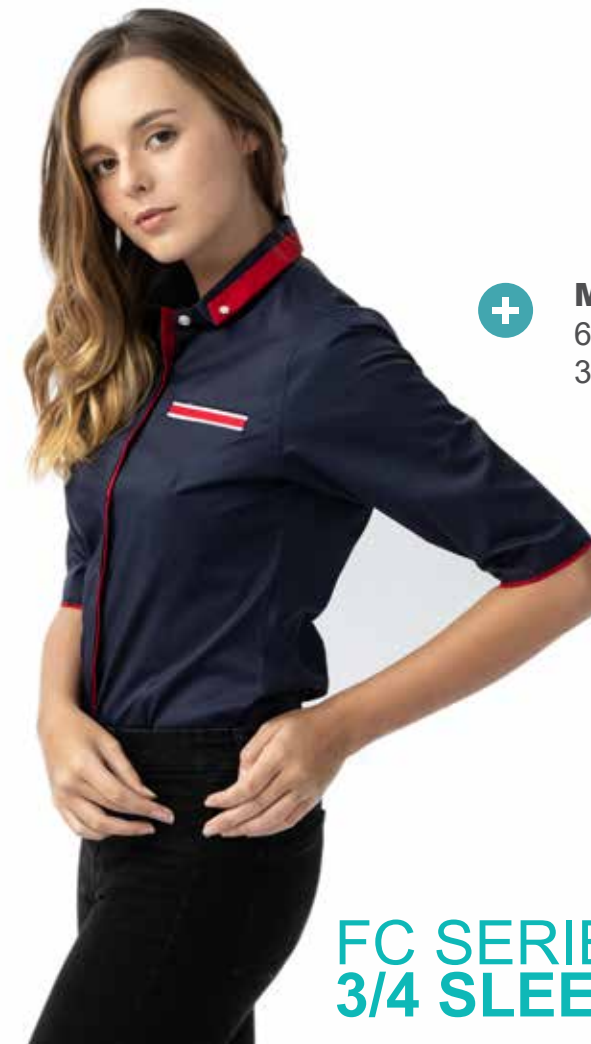
WOMEN'S 3/4 SLEEVE	S	M	L	XL	2XL	3XL
Chest	36"	40"	42"	44"	46"	48"
Shoulder	14.5"	15"	15.5"	16"	16.5"	17"
Shirt Length	28"	28.5"	29"	29.5"	30"	30.5"
3/4 Sleeve Length	13"	14"	14"	14.5"	15"	15"





+ MATERIAL
65% POLYESTER
35% COTTON

**FC SERIES
SHORT SLEEVE**



+ MATERIAL
65% POLYESTER
35% COTTON

**FC SERIES
3/4 SLEEVE**

MALE

Sizes: S - 3 XL



MEN'S SHORT SLEEVE	S	M	L	XL	2XL	3XL
Chest	40"	42"	44"	46"	48"	50"
Shoulder	17"	18"	19"	20"	21"	22"
Shirt Length	28"	29"	30"	30.5"	31"	31"
Short Sleeve Length	10"	10"	10.5"	11"	11.5"	12"



SEA BLUE /
RED / WHITE
FC 4011

BACK
VIEW



LIGHT GREY /
RED / WHITE
FC 4010

ORANGE /
BLACK / WHITE
FC 4012

NAVY /
RED / WHITE
FC 4013

FEMALE

Sizes: S - 3 XL



WOMEN'S 3/4 SLEEVE	S	M	L	XL	2XL	3XL
Chest	38"	40"	42"	44"	46"	48"
Shoulder	14.5"	15"	15.5"	16"	16.5"	17"
Shirt Length	28"	28.5"	29"	29.5"	30"	30.5"
3/4 Sleeve Length	13"	14"	14"	14.5"	15"	15"



NAVY /
RED / WHITE
FC 4113

BACK
VIEW



LIGHT GREY /
RED / WHITE
FC 4110

SEA BLUE /
RED / WHITE
FC 4111

ORANGE /
BLACK / WHITE
FC 4112

+ **MATERIAL**
65% POLYESTER
35% COTTON



**FC SERIES
3/4 SLEEVE**

**FC SERIES
SHORT SLEEVE**

MALE
Sizes: S - 3 XL



MEN'S SHORT SLEEVE	S	M	L	XL	2XL	3XL
Chest	40"	42"	44"	46"	48"	50"
Shoulder	17"	18"	19"	20"	21"	22"
Shirt Length	28"	29"	30"	30.5"	31"	31"
Short Sleeve Length	10"	10"	10.5"	11"	11.5"	12"



RED / NAVY
WHITE
FC 3802



BACK
VIEW



ROYAL BLUE /
WHITE / BLACK
FC 3801



LIGHT BLUE /
BLACK / WHITE
FC 3803



MEDIUM PURPLE /
DARK PURPLE /
WHITE
FC 3805

FEMALE
Sizes: S - 3 XL



WOMEN'S 3/4 SLEEVE	S	M	L	XL	2XL	3XL
Chest	38"	40"	42"	44"	46"	48"
Shoulder	14.5"	15"	15.5"	16"	16.5"	17"
Shirt Length	28"	28.5"	29"	29.5"	30"	30.5"
3/4 Sleeve Length	13"	14"	14"	14.5"	15"	15"



RED / NAVY
WHITE
FC 3902



BACK
VIEW



ROYAL BLUE /
WHITE / BLACK
FC 3901



LIGHT BLUE /
BLACK / WHITE
FC 3903



MEDIUM PURPLE /
DARK PURPLE /
WHITE
FC 3905



+ MATERIAL
65% POLYESTER
35% COTTON

FC SERIES SHORT SLEEVE

MALE
Sizes: S - 3 XL

MEN'S SHORT SLEEVE	S	M	L	XL	2XL	3XL
Chest	40"	42"	44"	46"	48"	50"
Shoulder	17"	18"	19"	20"	21"	22"
Shirt Length	28"	29"	30"	30.5"	31"	31"
Short Sleeve Length	10"	10"	10.5"	11"	11.5"	12"



LIGHT GREY / RED / NAVY
FC 3602

BACK VIEW



WHITE / MEDIUM BLUE / BLACK
FC 3601

CREAM / PEACH / ROYAL BLUE
FC 3603

LIGHT PURPLE / MEDIUM PURPLE / DARK PURPLE
FC 3605

+ MATERIAL
65% POLYESTER
35% COTTON

FEMALE
Sizes: S - 3 XL



LIGHT GREY / RED / NAVY
FC 3702

BACK VIEW



WHITE / MEDIUM BLUE / BLACK
FC 3701



CREAM / PEACH / ROYAL BLUE
FC 3703



LIGHT PURPLE / MEDIUM PURPLE / DARK PURPLE
FC 3705



Bottom

WOMEN'S 3/4 SLEEVE	S	M	L	XL	2XL	3XL
Chest	38"	40"	42"	44"	46"	48"
Shoulder	14.5"	15"	15.5"	16"	16.5"	17"
Shirt Length	28"	28.5"	29"	29.5"	30"	30.5"
3/4 Sleeve Length	13"	14"	14"	14.5"	15"	15"



FC SERIES 3/4 SLEEVE



+ MATERIAL
65% POLYESTER
35% COTTON

**FC SERIES
SHORT SLEEVE**

MALE
Sizes: S - 3 XL



MEN'S SHORT SLEEVE	S	M	L	XL	2XL	3XL
Chest	40"	42"	44"	46"	48"	50"
Shoulder	17"	18"	19"	20"	21"	22"
Shirt Length	28"	29"	30"	30.5"	31"	31"
Short Sleeve Length	10"	10"	10.5"	11"	11.5"	12"



NAVY /
ROYAL BLUE /
KHAKE
FC 3403



BLACK /
CYAN / KHAKE
FC 3401



RED /
NAVY / KHAKE
FC 3402



GREY /
ORANGE /
KHAKE
FC 3405

FEMALE
Sizes: S - 3 XL



GREY /
ORANGE /
KHAKE
FC 3505



BLACK /
CYAN / KHAKE
FC 3501



RED /
NAVY / KHAKE
FC 3502



NAVY /
ROYAL BLUE /
KHAKE
FC 3503



WOMEN'S 3/4 SLEEVE	S	M	L	XL	2XL	3XL
Chest	35"	40"	42"	44"	46"	48"
Shoulder	14.5"	15"	15.5"	16"	16.5"	17"
Shirt Length	28"	28.5"	29"	29.5"	30"	30.5"
3/4 Sleeve Length	13"	14"	14"	14.5"	15"	15"

+ MATERIAL
65% POLYESTER
35% COTTON



**FC SERIES
3/4 SLEEVE**



+ **MATERIAL**
65% POLYESTER
35% COTTON

**FC SERIES
SHORT SLEEVE**

MALE
Sizes: S - 3 XL



LIGHT BLUE /
NAVY / WHITE
FC 2801



BACK
VIEW

MEN'S SHORT SLEEVE	S	M	L	XL	2XL	3XL
Chest	40"	42"	44"	46"	48"	50"
Shoulder	17"	18"	19"	20"	21"	22"
Shirt Length	28"	29"	30"	30.5"	31"	31"
Short Sleeve Length	10"	10"	10.5"	11"	11.5"	12"



Pocket

Collar Button



RED /
BLACK /
WHITE
FC 2802



NAVY /
GREY /
WHITE
FC 2803



DARK PURPLE /
LIGHT PURPLE /
WHITE
FC 2805



+ **MATERIAL**
65% POLYESTER
35% COTTON

**FC SERIES
3/4 SLEEVE**

FEMALE
Sizes: S - 3 XL



DARK PURPLE /
LIGHT PURPLE /
WHITE
FC 2705



BACK
VIEW



WOMEN'S 3/4 SLEEVE	S	M	L	XL	2XL	3XL
Chest	38"	40"	42"	44"	46"	48"
Shoulder	14.5"	15"	15.5"	16"	18.5"	17"
Shirt Length	28"	28.5"	29"	29.5"	30"	30.5"
3/4 Sleeve Length	13"	14"	14"	14.5"	15"	15"



LIGHT BLUE /
NAVY / WHITE
FC 2701



RED /
BLACK /
WHITE
FC 2702



NAVY /
GREY /
WHITE
FC 2703

+ **MATERIAL**
65% POLYESTER
35% COTTON



**FC SERIES
SHORT SLEEVE**

**FC SERIES
3/4 SLEEVE**

MALE

Sizes: S - 3 XL



MEN'S SHORT SLEEVE	S	M	L	XL	2XL	3XL
Chest	40"	42"	44"	46"	48"	50"
Shoulder	17"	18"	19"	20"	21"	22"
Shirt Length	28"	29"	30"	30.5"	31"	31"
Short Sleeve Length	10"	10"	10.5"	11"	11.5"	12"



NAVY /
APPLE GREEN
FC 2018



ROYAL BLUE /
WHITE
FC 2010



RED /
WHITE
FC 2012



ORANGE /
BLACK
FC 2016

FEMALE

Sizes: S - 3 XL



WOMEN'S 3/4 SLEEVE	S	M	L	XL	2XL	3XL
Chest	38"	40"	42"	44"	46"	48"
Shoulder	14.5"	15"	15.5"	16"	16.5"	17"
Shirt Length	28"	28.5"	29"	29.5"	30"	30.5"
3/4 Sleeve Length	13"	14"	14"	14.5"	15"	15"



ROYAL BLUE /
WHITE
FC 2011



RED /
WHITE
FC 2013



ORANGE /
BLACK
FC 2015



NAVY /
APPLE GREEN
FC 2017

FEMALE
Sizes: S - 3 XL



BLACK / RED
FC 2105



BACK VIEW

+ MATERIAL
65% POLYESTER
35% COTTON



ROYAL BLUE / WHITE
FC 2101



RED / WHITE
FC 2102



ORANGE / BLACK
FC 2103



**FC SERIES
3/4 SLEEVE**

WOMEN'S 3/4 SLEEVE	S	M	L	XL	2XL	3XL
Chest	35"	40"	42"	44"	46"	48"
Shoulder	14.5"	15"	15.5"	16"	16.5"	17"
Shirt Length	28"	28.5"	29"	29.5"	30"	30.5"
3/4 Sleeve Length	13"	14"	14"	14.5"	15"	15"



+ MATERIAL
65% POLYESTER
35% COTTON

MALE
Sizes: S - 3 XL



ORANGE / BLACK
FC 2003



BACK VIEW



ROYAL BLUE / WHITE
FC 2001



RED / WHITE
FC 2002



BLACK / RED
FC 2005



**FC SERIES
SHORT SLEEVE**



MEN'S SHORT SLEEVE	S	M	L	XL	2XL	3XL
Chest	40"	42"	44"	46"	48"	50"
Shoulder	17"	18"	19"	20"	21"	22"
Shirt Length	28"	29"	30"	30.5"	31"	31"
Short Sleeve Length	10"	10"	10.5"	11"	11.5"	12"



MATERIAL
65% POLYESTER
35% COTTON

MALE

Sizes: S - 3 XL



ORANGE / BLACK
FC 2203

BACK VIEW



ROYAL BLUE / WHITE
FC 2201



RED / WHITE
FC 2202



BLACK / RED
FC 2205



MEN'S SHORT SLEEVE	S	M	L	XL	2XL	3XL
Chest	40"	42"	44"	46"	48"	50"
Shoulder	17"	18"	19"	20"	21"	22"
Shirt Length	28"	29"	30"	30.5"	31"	31"
Short Sleeve Length	10"	10"	10.5"	11"	11.5"	12"

FEMALE

Sizes: S - 3 XL



BLACK / RED
FC 2305

BACK VIEW



ROYAL BLUE / WHITE
FC 2301



RED / WHITE
FC 2302



ORANGE / BLACK
FC 2303



WOMEN'S 3/4 SLEEVE	S	M	L	XL	2XL	3XL
Chest	35"	40"	42"	44"	46"	48"
Shoulder	14.5"	15"	15.5"	16"	16.5"	17"
Shirt Length	28"	28.5"	29"	29.5"	30"	30.5"
3/4 Sleeve Length	13"	14"	14"	14.5"	15"	15"



MATERIAL
65% POLYESTER
35% COTTON

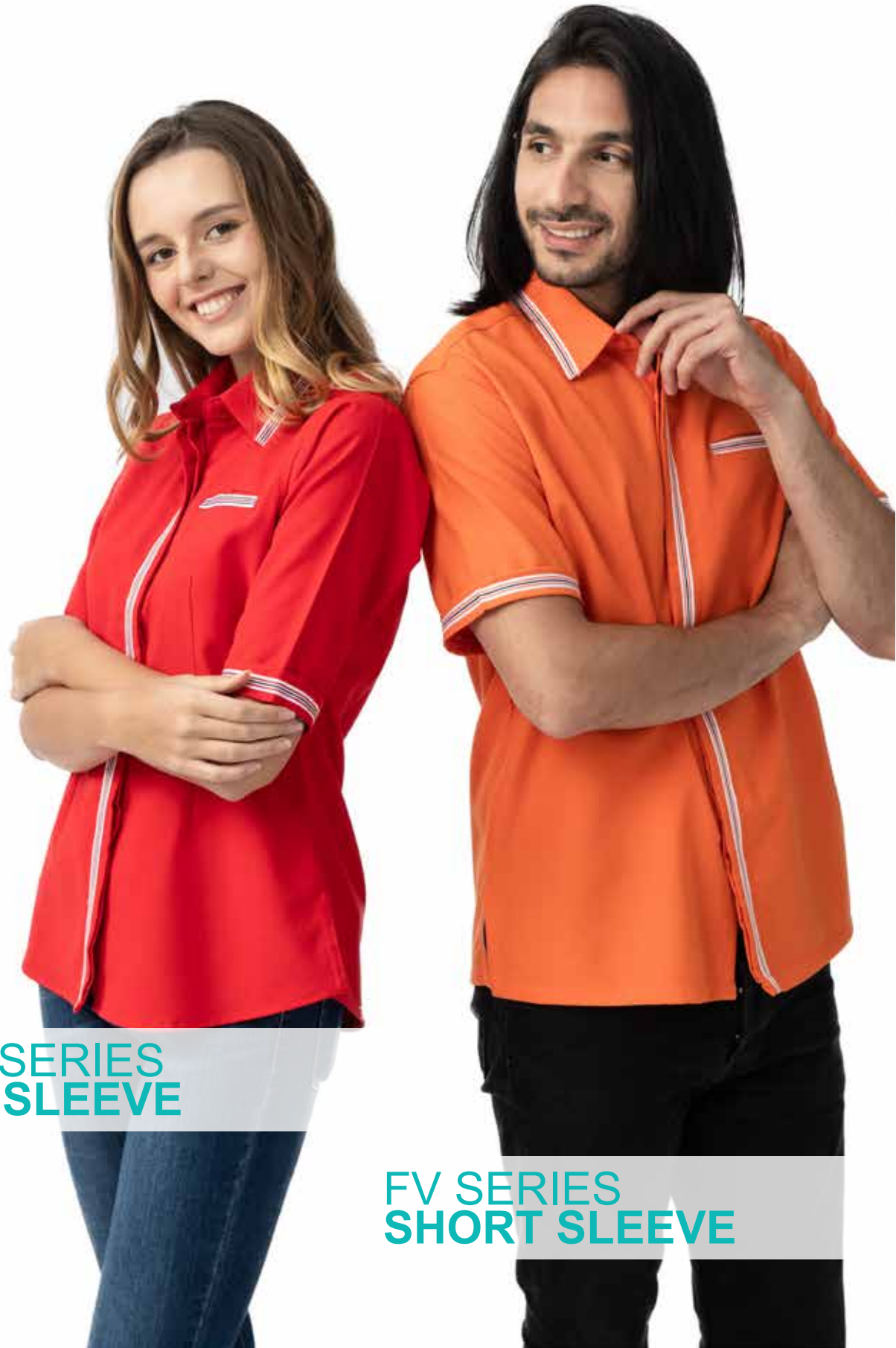


FC SERIES SHORT SLEEVE



FC SERIES 3/4 SLEEVE

+ **MATERIAL**
65% POLYESTER
35% COTTON



**FV SERIES
3/4 SLEEVE**

**FV SERIES
SHORT SLEEVE**



MALE
Sizes: S - 3 XL



ORANGE /
WHITE
FV 3203

BACK
VIEW



ROYAL BLUE /
WHITE
FV 3201



RED /
WHITE
FV 3202



BLACK /
WHITE
FV 3205



Tapping



Bottom Split

MEN'S SHORT SLEEVE	S	M	L	XL	2XL	3XL
Chest	40"	42"	44"	48"	48"	50"
Shoulder	17"	18"	19"	20"	21"	22"
Shirt Length	28"	29"	30"	30.5"	31"	31"
Short Sleeve Length	10"	10"	10.5"	11"	11.5"	12"

FEMALE
Sizes: S - 3 XL



BLACK /
WHITE
FV 3305



BACK
VIEW



ROYAL BLUE /
WHITE
FV 3301



RED /
WHITE
FV 3302



ORANGE /
WHITE
FV 3303



Tapping



Bottom Split

WOMEN'S 3/4 SLEEVE	S	M	L	XL	2XL	3XL
Chest	38"	40"	42"	44"	46"	48"
Shoulder	14.5"	15"	15.5"	16"	16.5"	17"
Shirt Length	28"	28.5"	29"	29.5"	30"	30.5"
3/4 Sleeve Length	13"	14"	14"	14.5"	15"	15"



MALE
Waist: 29" - 48"

LONG TROUSER
DOUBLE PLEAT



WAST	29"-36"	37"-44"	45"-48"
LENGTH	45"	46"	47"

Double Pleat



BLACK
TPS1



MATERIAL
POLYSOFT



BACK
VIEW



BLACK
TTR1



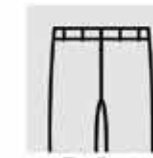
MATERIAL
TETORON RAYON



BACK
VIEW

LONG TROUSER
FLAT FRONT

MALE
Waist: 29" - 44"



WAST	29"	30"-34"	35"-44"
LENGTH	44"	44.5"	45"

Flat Front



BLACK
TPS2



MATERIAL
POLYSOFT



BACK
VIEW



BLACK
TTR2



MATERIAL
TETORON RAYON



BACK
VIEW

+ MATERIAL
COTTON

APRON

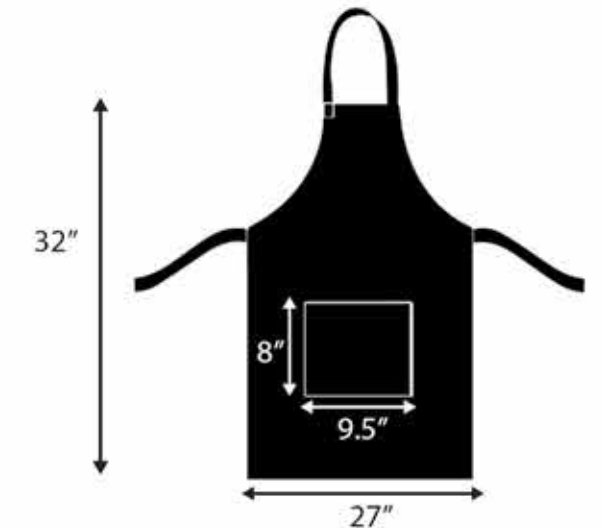
CORPORATE UNIFORM

NEW
ARRIVAL



DENIM FULL APRON

APRON
SERIES



CORPORATE UNIFORM
APRON

+ MATERIAL
100% POLYESTER



HALF APRON

FULL APRON



APRON
SERIES



FULL APRON
BLACK
AP 01



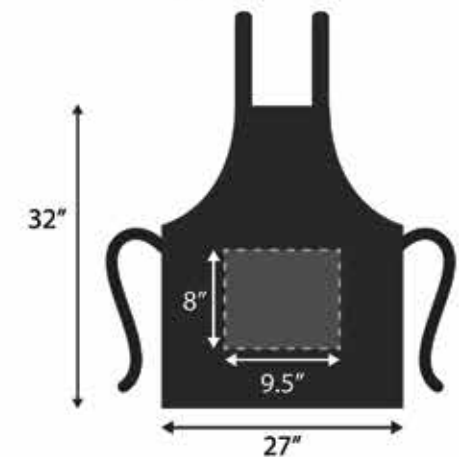
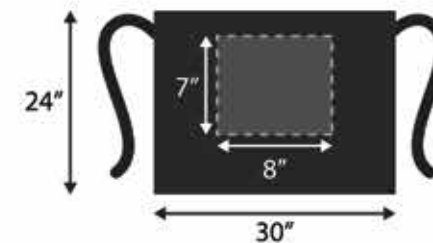
BACK
VIEW



HALF APRON
BLACK
AHP 01



BACK
VIEW



CORPORATE UNIFORM
**INDUSTRIAL
JACKET**



+ MATERIAL
100% COTTON

UNISEX

Sizes: M - 2 XL

UNISEX MODERN FIT	M	L	XL	2XL
A Shoulder	18"	19"	20"	20.5"
B Chest	42"	44"	46"	48"
C Body Length	27"	28"	29"	30"
D Sleeve Length	24"	24"	24.5"	25"



RED
JK 5202



BACK
VIEW



NAVY BLUE
JK 5200



ORANGE
JK 5203



ROYAL BLUE
JK 5206



GREY
JK 5207



KHAKI
JK 5208



CLEARANCE STOCKS

LIMITED SIZES AND QUANTITY AVAILABLE

THAI "TORAY" DOUBLE YARN VISCOSE | SHORT SLEEVE

MALE | Sizes: S-3 XL

MATERIAL
65% Polyester | 35% Cotton



THAI "TORAY" DOUBLE YARN VISCOSE | 3/4 SLEEVE

FEMALE | Sizes: S - 3 XL

MATERIAL
65% Polyester | 35% Cotton



THAI SOFT COMB COTTON | SHORT SLEEVE

MALE | Sizes: S - 3 XL

MATERIAL
65% Polyester | 35% Cotton



THAI SOFT COMB COTTON | 3/4 SLEEVE

FEMALE | Sizes: S - 3 XL

MATERIAL
65% Polyester | 35% Cotton



POLYSOFT | SHORT SLEEVE

MALE | Sizes: S - 3 XL

MATERIAL
100% Polyester



TRADITIONAL MALAY SET

SOLUNA - MALE | Sizes: M - 2 XL

MATERIAL
100% Polyester



WE ACCEPT CUSTOM MADE ORDERS

UZONE produces mainly shirt uniforms, both 'standard' and 'tailor-made'. As for tailor-made uniforms, we discuss designs and cuttings with each customer, and provide various sizes for them to choose from, with the objective of creating the most suitable pattern that reflects their corporate and brand image. In a nutshell, we create the most dazzling brand image through the professional projection of a uniform.



Due to printing conditions, colours may differ 5- 10% from the actual product. All measurement are subjected to be different 0.5 inch from the actual product. Size may different from the same product series.



enquiry@uzone.com.my
www.uzone.com.my



Website



Catalogue

